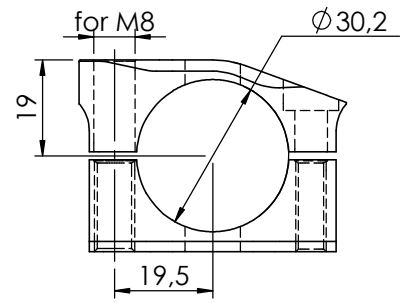
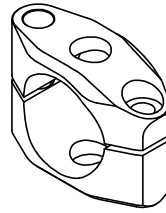
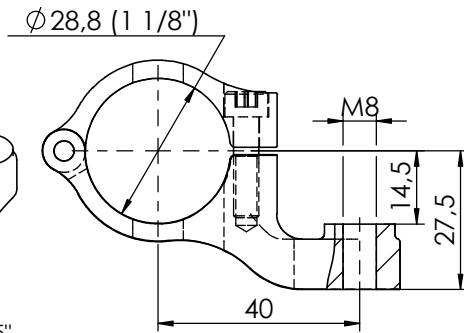
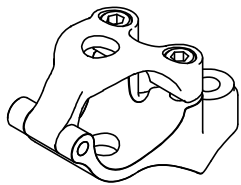


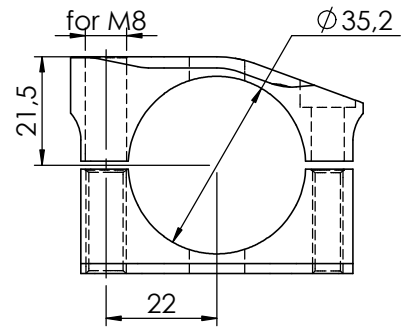
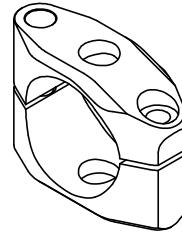
**MP-FB0004**  
Frame Clamp "Type 4"



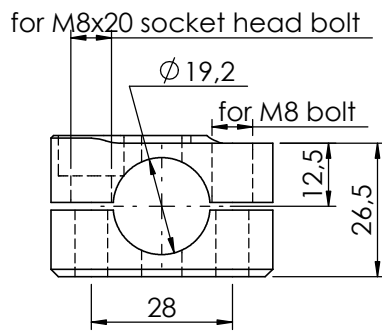
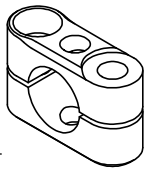
**MP-FB0012** ( $\phi 30,2$ )  
Frame Clamp 12



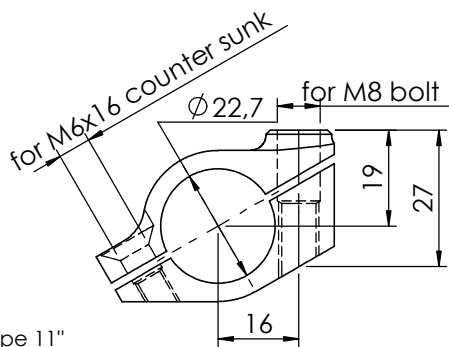
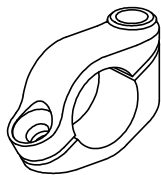
**MP-FB0005**  
Frame Clamp "Type 5"



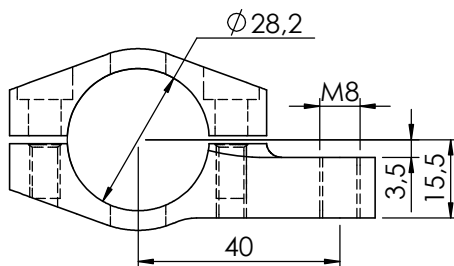
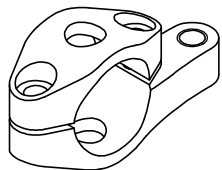
**MP-FB0014** ( $\phi 35,2$ )  
Frame Clamp 14



**MP-FRMK07**  
Frame Clamp 7



**MP-FB0011**  
Frame Clamp "Type 11"



**MP-FB640280**  
Frame Clamp "Type 6"